

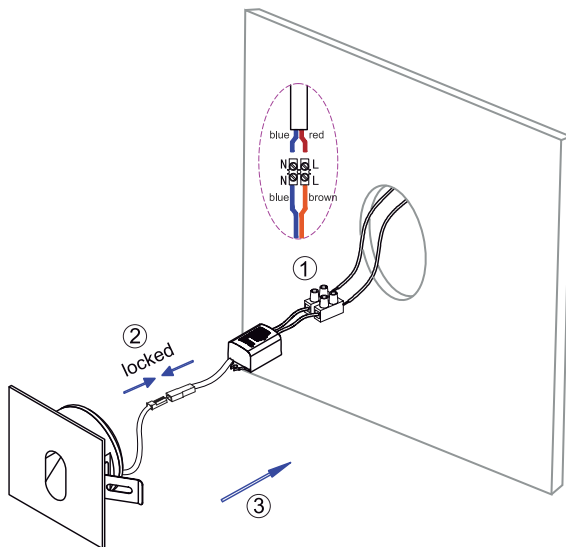
DRYWALL OR WOODEN WALL

CONCRETE WALL

MOUNTING:

Wall recessed mounted, cut-out \varnothing 42 mm

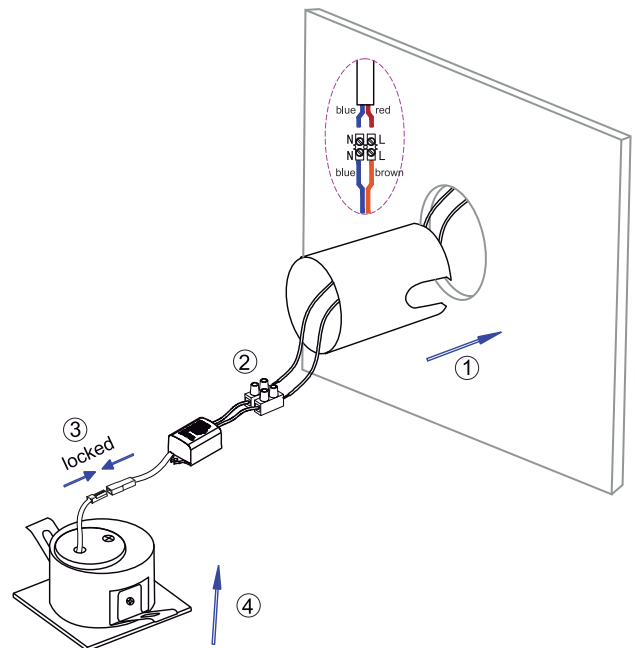
NOTE: make sure power off when operating as follows.



MOUNTING:

Wall recessed mounted, cut-out \varnothing 45 mm, depth 90 mm

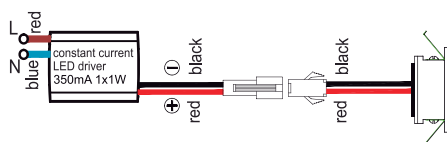
NOTE: make sure power off when operating as follows.



LED power supply data:
constant current LED driver
output: 350mA / (1W each lamp) / Constant Current

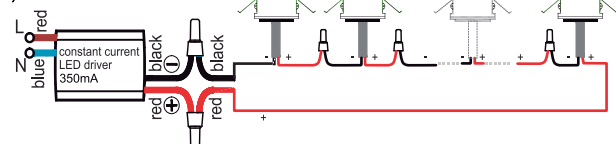
Diagram

⚡ 100-240V



lamps in a series circuit

⚡ 100-240V



Family members

