

EN - MOUNTING AND SAFETY INSTRUCTIONS

Read carefully the instructions and keep them for maintenance operations.

WARNINGS!

1. We recommend that the installation of this light fitting to be performed by technical professional personnel.
2. Don't switch on the electricity before the complete installation of the light fitting, according to the mounting instructions.
3. These light fittings can be installed only in the interior of a building.
4. Do not install the light fitting in the humid areas and the areas of corrosive agents.

5. Make sure where the light fitting is mounted allow further access for maintenance operations.
6. Clean this light fitting only with a soft dry cloth and only after switching off the power supply.
7. Do not use any chemical or abrasive cleaners.

FIG. 1

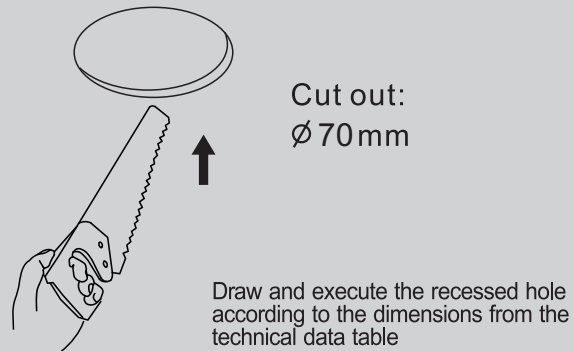


FIG. 2

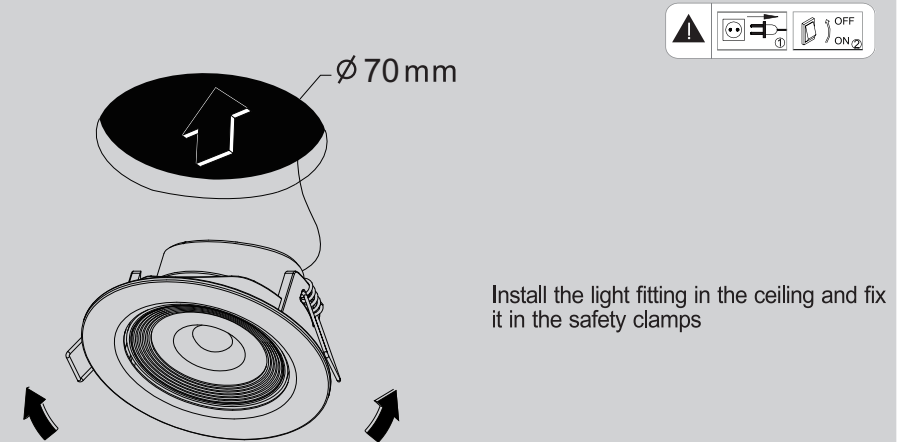


FIG. 3

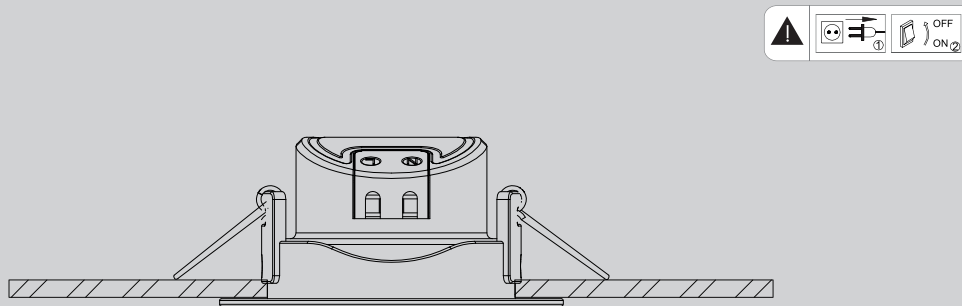
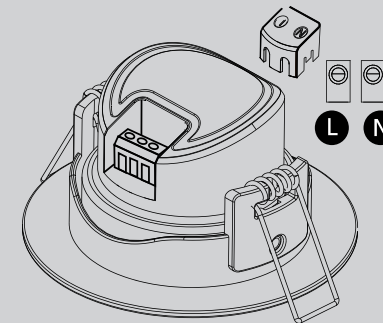


FIG. 4



Smaltimento



LYS