

AFTRO – I Family Sheet

Wall Surface Mount IP65 LED Down Light or Up Light



DESCRIPTION

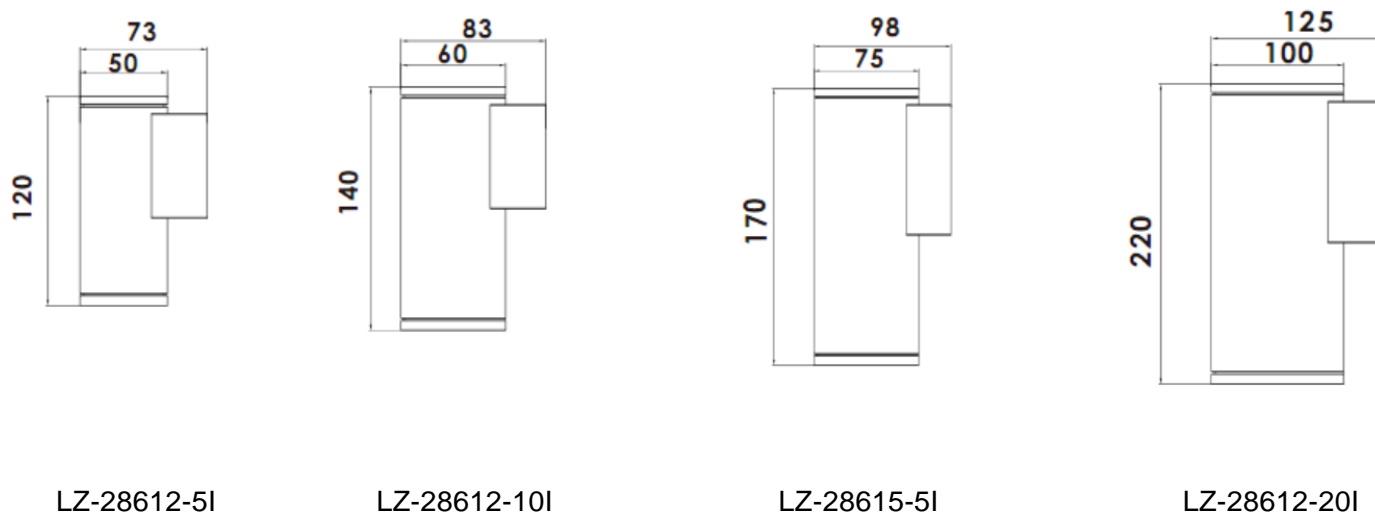
Single side LED landscape wall lamps are designed for wall surface mounted which are with up or down light output and offers various design possibilities in architectural and landscape illumination.

FEATURES



- Single side light output for down (or up) light output
- 4 different lamp size with different power for different applications.
- Light source: 1piece CREE COB LED.
- Provide optional 24VDC, 110-240Vac 50/60Hz input voltage.
- Typical power consumption: 5W, 10W, 15W, 20W
- Light efficiency: 80-95LM/W
- CRI(Ra)>80 (for 2200-6500K only).
- Color: 2200-6500K.
- Die-casting aluminum housing, available in black, grey, or white color.
- Easy Vertical wall surface Mounted.
- IP classification: IP65, suitable for both indoor and outdoor use.
- 5 Years warranty.

DIMENSIONAL DRAWING (Units: mm) and Model No.



MATERIAL SPECIFICATIONS

Housing 12 Die-casting grey or black powder coated aluminum.

T=60-80 μ m. Adhesion of ISO class 1/ASTM class 4B

Gasket: Molding shaped silicone seal

Lens: Optical Lens efficiency \geq 90%

LED: CREE COB LED, CRI(Ra)>80, SDCM<3

Driver: Integral Constant current LED driver

Input: Optional 24VDC, or 110-120V, or 220~240V, 100-240V

Installation: Wall Surface Mount

IP Rate: IP65 suitable for both indoor and outdoor applications

Operating Temperature: -20 $^{\circ}$ C~+50 $^{\circ}$ C

Optional Control: ON/OFF(basic version), 0-10V, DALI, TRIAC, DMX512

TECHNICAL SPECIFICATIONS

Item No.	Light Source	Color	CRI (Ra)	Beam Angle	Input Voltage	Typical Current (Ma)	Power (W)	Luminous Flux (lm)±5%	IK Rate
LZ-28612-5I	1pcx5W CREE COB LED	Single Color	Ra>80	15°, 20°, 30°, 60°	24VDC, 120/240V	24V=208mA 110V=51mA 240V=24mA	24V=5.1W 110V=5.2W 240V=5.3W	Cool White=405 Warm White=345	08
LZ-28612-10I	1pcx10W CREE COB LED	Single Color	Ra>80	15°, 20°, 30°, 60°	24VDC, 120/240V	24V=425mA 110V=101mA 240V=47mA	24V=10.2W 110V=10.2W 240V=10.3W	Cool White=816 Warm White=694	10
LZ-28612-15I	1pcx15W CREE COB LED	Single Color	Ra>80	15°, 20°, 30°, 60°	24VDC, 120/240V	24V=625mA 110V=150mA 240V=72mA	24V=15.2W 110V=15.5W 240V=16W	Cool White=1218 Warm White=1058	10
LZ-28612-20I	1pcx20W CREE COB LED	Single Color	Ra>80	15°, 20°, 30°, 60°	24VDC, 120/240V	24V=833mA 110V=208mA 240V=95mA	24V=20.5W 110V=21.2W 240V=21W	Cool White=1681 Warm White=1462	10

Notes:

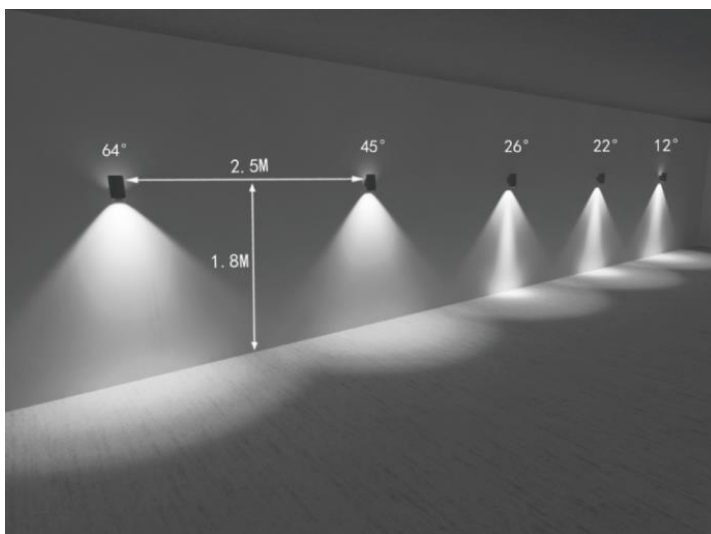
1. CCT(K) for single color: 2700K, 3000K, 4000K, 5000K, 6000K. For other color temperature or color or RGB or RGBW, please inquire us separately.
2. Standard version control method is ON/OFF, optional dimming control: 0-10V, DALI, DMX512, TRIAC, please inquire us separately.
3. Specification is subjected to change without prior to notice

OPTIONAL ACCESSORY

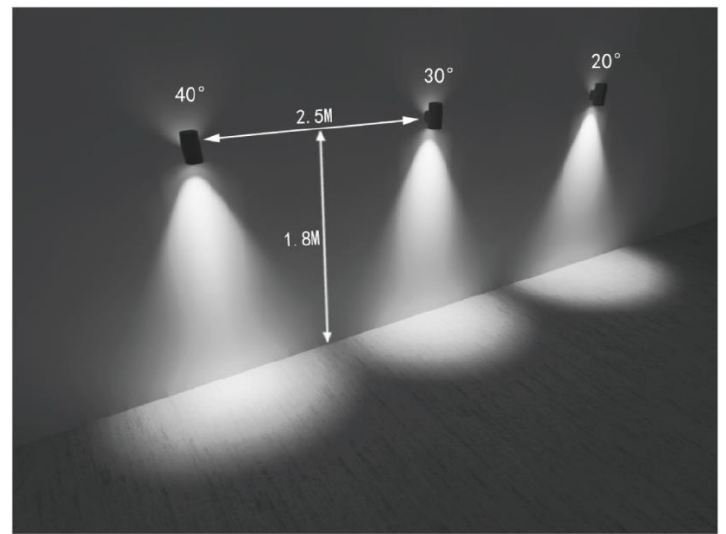


Honeycomb Louver

INSTALLATION DEMO



LZ-28612-20I



LZ-28612-1

APPLICATIONS



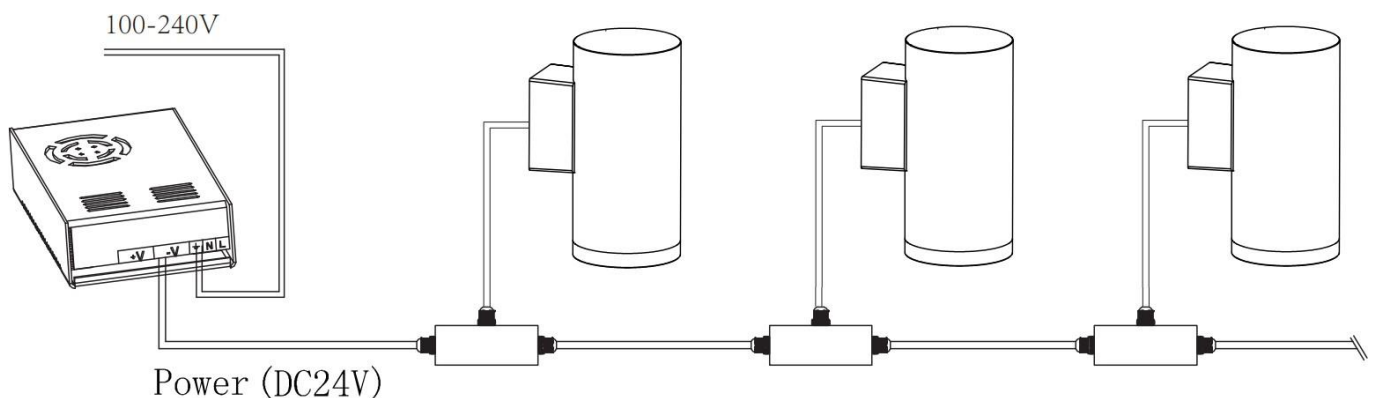
TYPICAL WIRING DIAGRAM

LOW VOLTAGE 24VDC INPUT VERSION

Low voltage single color fitting: use external remote power supply, the output voltage of power supply must be consistent with the requested input voltage of the fitting, as the fitting is constant voltage input type.

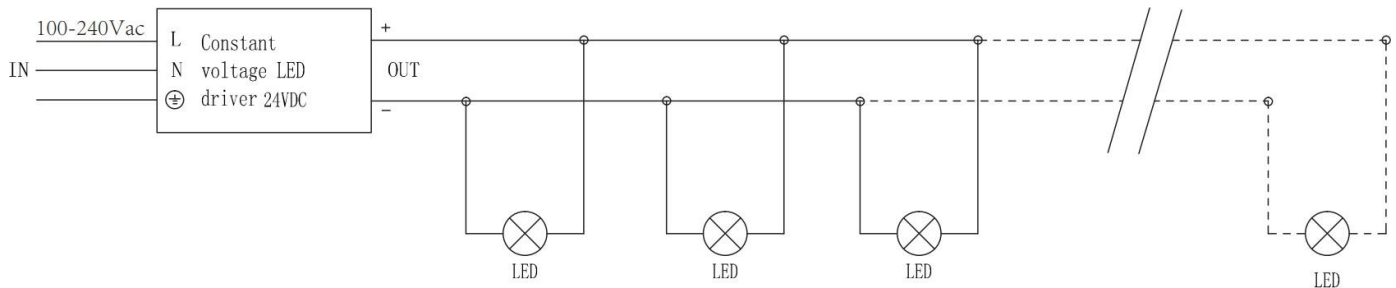
The power consumption of power supply must be decided by installer according to the requirements from the site. And it is strongly advised the max output power of the power supply is required to be more 25% than the total power of the connected fittings.

Example of wiring:



Note: The power supply is NOT included, please order power supply separately.

24VDC: Circuit of product

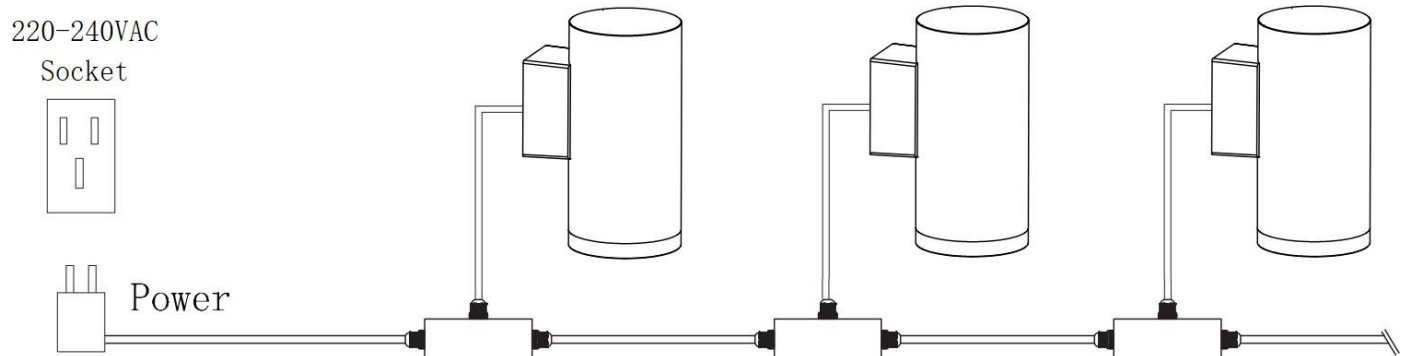


Explanations: the transmits circuit of the whole group depends on the circuit of junction boxes. the max. current depends on the max. load of power cable between the junction boxer, but it is not related to the max. load current of power cable of the fitting. The outer diameter of cable between the junction boxes is limited by the max. outer diameter of speedy plug, the max. allowed outer diameter is 10mm.

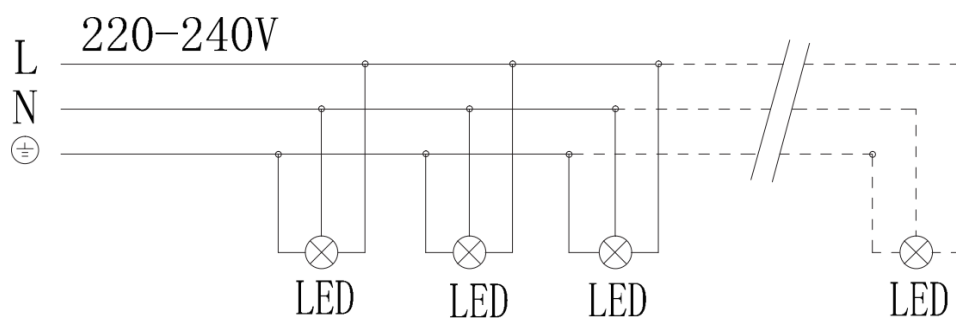
HIGH VOLTAGE 220-240VAC INPUTVERSION

High voltage single color fitting: refer to the following recommended wiring method.

Example of wiring:

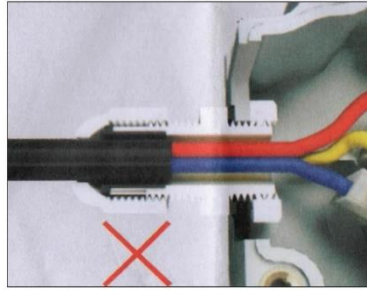
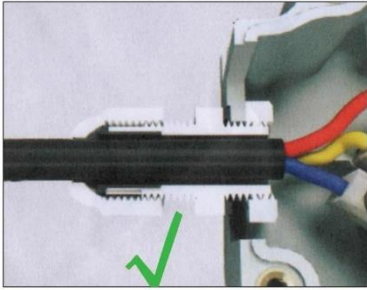


220-240VAC: Circuit of product



IMPORTANT NOTES FOR CONNECTIONS&CONNECTORS:

Prevent the water filtration by IP rated connectors!



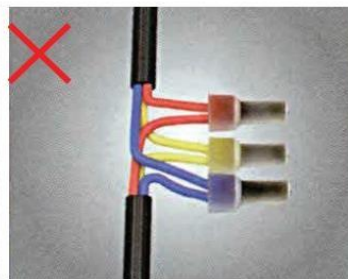
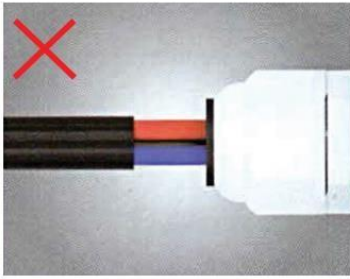
When the wire is connected into the fixture through cable gland, the cable must be more than 10mm inside. Please refer to the images above.



One input - two output

We recommend using the water-proof connectors as shown above for all outdoor fixtures. Installers should prepare the appropriate main cables of suitable rating and diameter with the right IP rated connectors.

Incorrect Installation



Important Notes and Safety Instructions

- Read this guide before installing, using the product.
- The products must be installed according to the regulations effective in the country of installation by a qualified professional people.
- Must be installed or operated only by Qualified Professional people.
- Failure to observe the instructions and recommendations may cause a risk of personal injury and/or material damage.
- In case of problems, contact our technical service.
- Do not abandon this product, put it in the specific place for recycling.
- Do not pull or lift up the product by catching the wire. This product is a COB LED wall light.
- The standard color temperature of cool white is 6000K; day white 5000K, neutral white 4000-4500k, warm white is in range 2700-3200K.
- The standard input voltage is 24VDC or 220-240VAC (or 110-120V, or 110-240V). When you install the product, please check the data label on the product and the wire.
- When using low voltage light fixture, please prepare powerful power supply or 24VDC output transformer. Total demand of power is according to total power consumption +total power of cable impedance consumption.
- Basic is Non-dimmable. Optional PWM, 0/1-10V, DALI dimmable or DMX512 controllable support upon request.
- The main material of this product is aluminum surface coating is only suitable for natural environment, don't install this product near the sea water or in the environment which is high salty or high acid.
- Do not install product near high magnetic fields or applications.
- This is IP65 grade product don't put fixture into water.
- Applicable environment temperature: -20 °C<fixture<+55 °C.