

**Wall Surface Mounted IP65
LED Up and Down Light**



DESCRIPTION

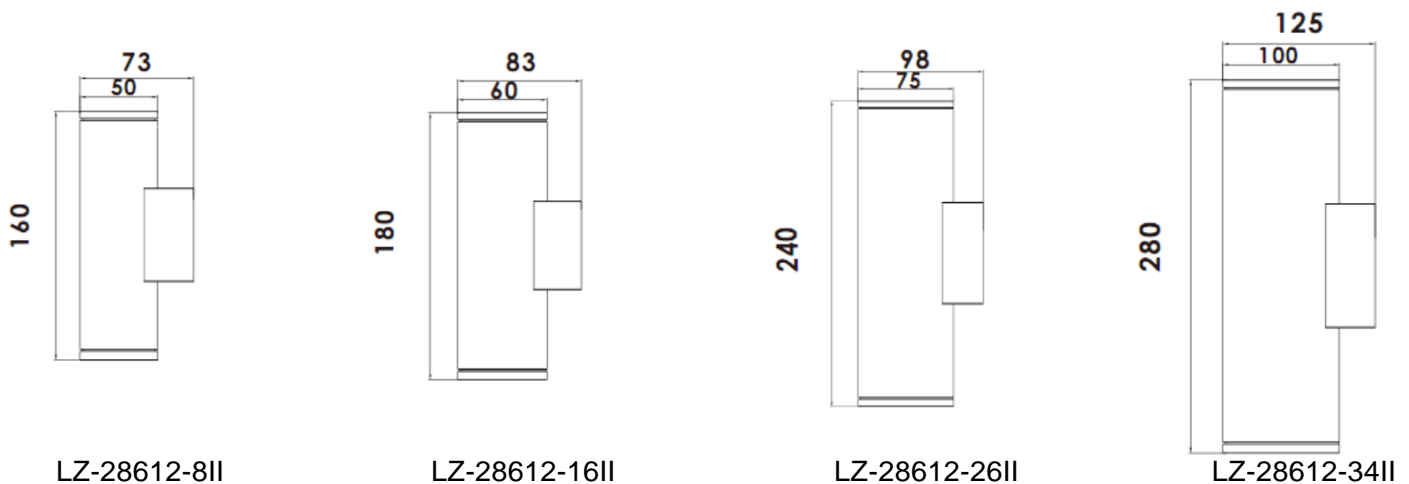
Dual sides LED landscape wall luminaires are designed for wall surface mounted which are with up and down light output and offers various design possibilities in architectural and landscape illumination.

The specification grade decorative Cilindro Architectural LED Cylinder Wall Sconce delivers continuous clean lines and clear Cylinder Light to commercial, hospitality and residential interior lighting applications. Our modern, slim profiles and stylish Outdoor Wall Sconce designs offer excellent direct lighting, indirect lighting, exceptional performance and versatility in offices, classrooms, conference rooms, museums, retail outlets, hotels, restaurants, and more.

FEATURES

- Dual heads light output for up and down lighting
- 4 different lamp size with different power for different applications.
- Light source: 2pcs high performance CREE COB LED.
- Input voltage: provides 24VDC and 220-240Vac (or 110-120Vac) 50/60Hz for options.
- Typical power consumption: 8W, 16W, 26W, 34W
- Light efficiency: 80-95LM/W for CRI80+, or 65-75LM/W for CRI90+
- CRI (Ra)>80 (for 2200-6500K only).
- Color: 2200-6500K, or other single color, RGB, or RGBW for options.
- Basic product is non-dimmable. Optional 0-10V, DALI, TRIAC, DMX512 dimming (inquire us separately).
- Die-casting aluminum housing, available in black, grey, or white color.
- Easy Vertical wall surface Mounted.
- IP classification: IP65 suitable for both indoor and outdoor use.
- Applications: brighten the night and outdoor building façade lighting.

DIMENSIONAL DRAWING (Units: mm) and Model No.



MATERIAL SPECIFICATIONS

Housing: 12 Die-casting grey or black powder coated aluminum.

T=60-80µm. Adhesion of ISO class 1/ASTM class 4B

Gasket: Molding shaped silicone seal

Lens: Optical Lens efficiency≥90%

LED: CREE COB LED, CRI(Ra)>80, SDCM<3

Driver: Integral Constant current LED driver

Input: 24VDC, or 110-120V, or 220~240V, or 100-240V

Installation: Wall Surface Mount

IP Rate: IP65

Operating Temperature: -20°C~+55°C

Optional Control: ON/OFF(basic version), 0-10V, DALI, DMX512

TECHNICAL SPECIFICATIONS

Item No.	Light Source	Color	CRI (Ra)	Beam Angle	Input Voltage	Typical Operating Current (mA)	Typical Power Consumption (W)	Typical Luminance (lm)±5%	IK Rate
LZ-28612-8II	2pcs×4W CREE COB LED	Single Color	Ra>80	15°, 20°, 30°, 60°	24VDC, 120/240V	24V=425mA 110V=103mA 240V=48mA	24V=10.2W 110V=10.4W 240V=10.6W	Cool White=853 Warm White=725	08
LZ-28612-16II	2pcs×8W CREE COB LED	Single Color	Ra>80	15°, 20°, 30°, 60°	24VDC, 120/240V	24V=850mA 110V=203mA 240V=47mA	24V=20.4W 110V=20.3W 240V=20.8W	Cool White=1671 Warm White=1419	10
LZ-28612-26II	2pcs×13W CREE COB LED	Single Color	Ra>80	15°, 20°, 30°, 60°	24VDC, 120/240V	24V=1246mA 110V=297mA 240V=140mA	24V=29.9W 110V=30W 240V=30.9W	Cool White=1218 Warm White=1058	10
LZ-28612-34II	2pcs×17W CREE COB LED	Single Color	Ra>80	15°, 20°, 30°, 60°	24VDC, 120/240V	24V=1667mA 110V=394mA 240V=185mA	24V=40W 110V=39.8W 240V=40.8W	Cool White=1681 Warm White=1462	10

Notes:

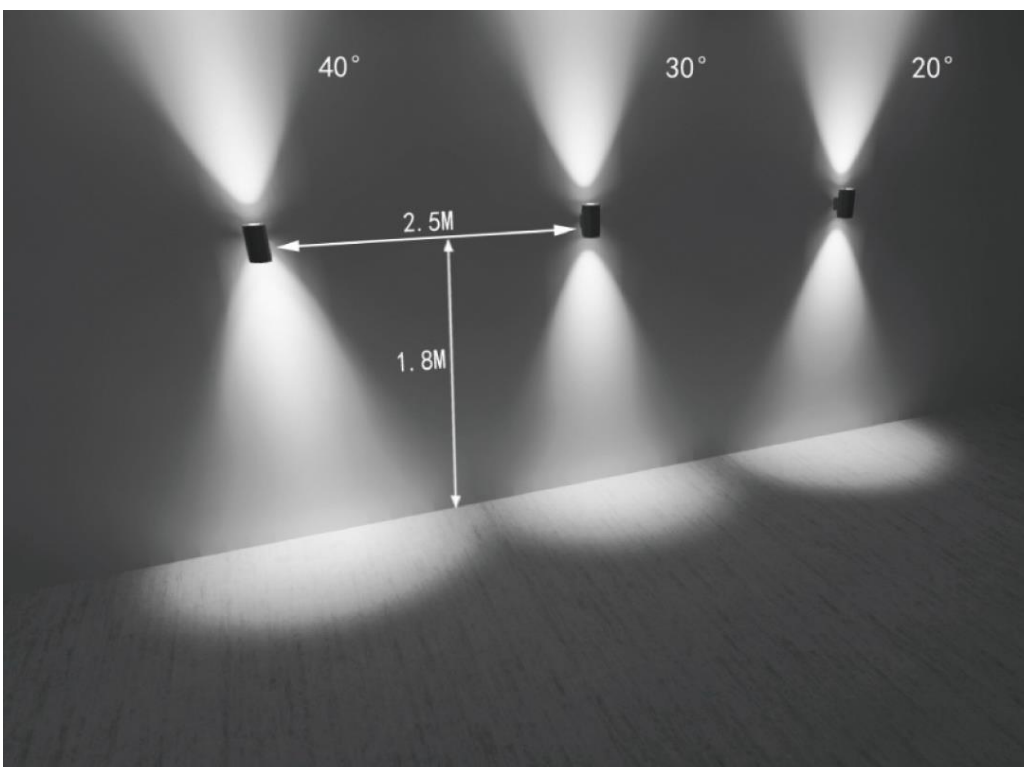
1. CCT(K) for single color: 2700K, 3000K, 4000K, 5000K, 6000K. For other color temperature or color or RGB or RGBW, please inquire us separately.
2. Standard version control method is ON/OFF, optional dimming control: 0-10V, DALI, DMX512, TRIAC, please inquire us separately.
3. Specification is subjected to change without prior to notice.

OPTIONAL ACCESSORY

Honeycomb Louver



INSTALLATION DEMO



APPLICATIONS



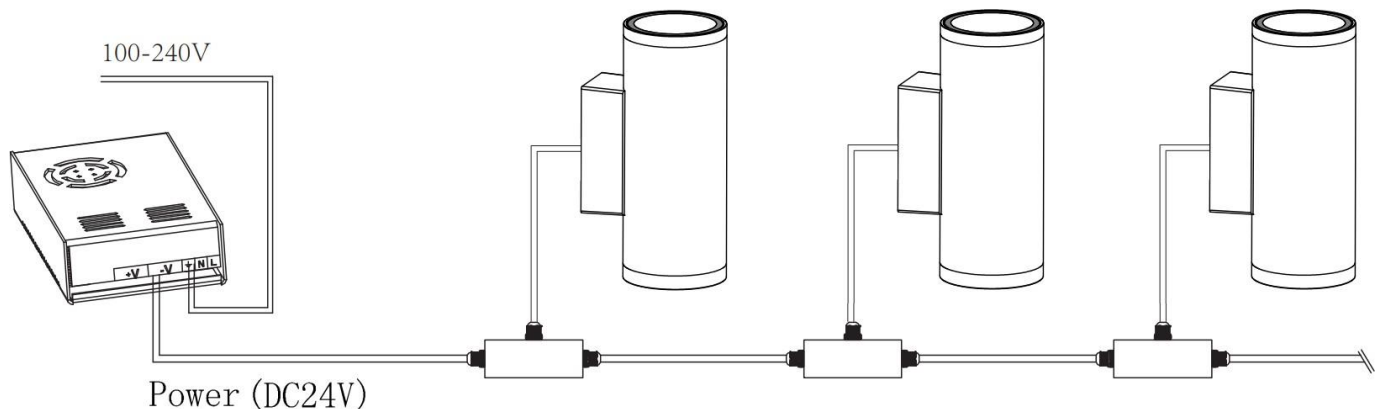
Typical Wiring Diagram

LOW VOLTAGE 24VDC INPUT VERSION

Low voltage single color fitting: use external remote power supply, the output voltage of power supply must be consistent with the requested input voltage of the fitting, as the fitting is constant voltage input type.

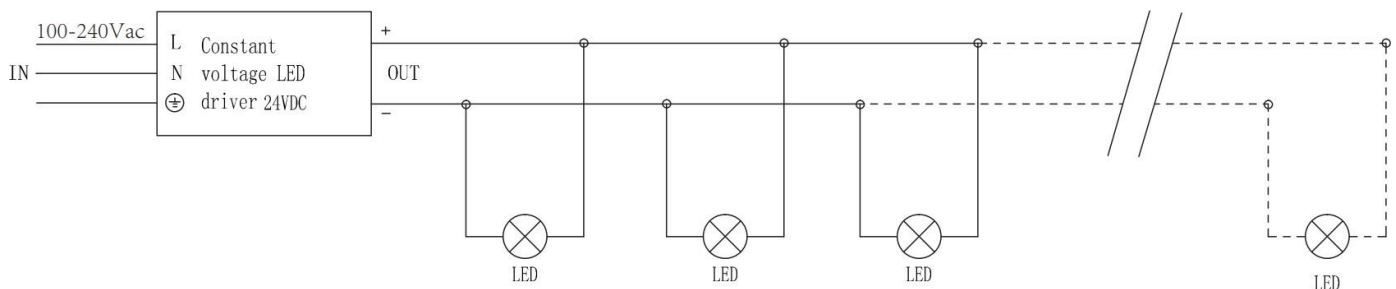
The power consumption of power supply must be decided by installer according to the requirements from the site. And it is strongly advised the max output power of the power supply is required to be more 25% than the total power of the connected fittings.

Example of wiring:



Note: The power supply is NOT included, please order power supply separately.

24VDC: Circuit of product

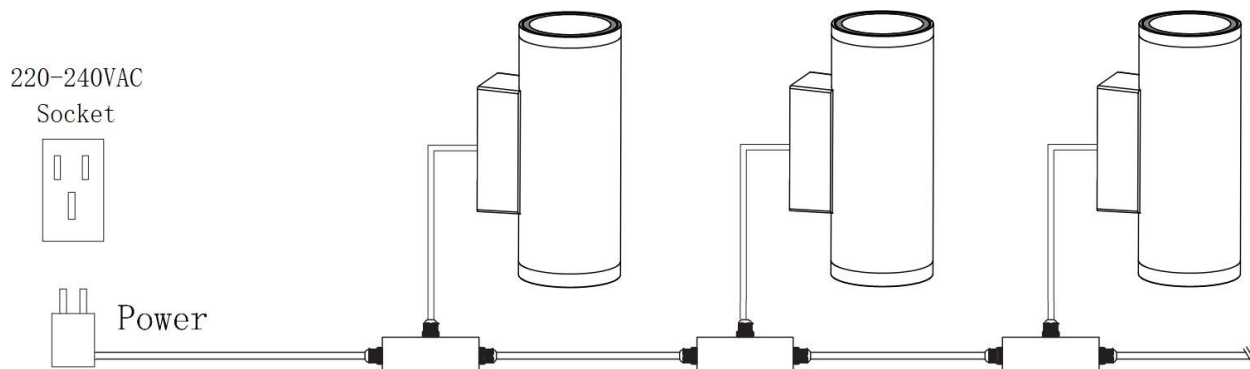


Explanations: the transmits circuit of the whole group depends on the circuit of junction boxes. the max. current depends on the max. load of power cable between the junction boxer, but it is not related to the max. load current of power cable of the fitting. The outer diameter of cable between the junction boxes is limited by the max. outer diameter of speedy plug, the max. allowed outer diameter is 10mm.

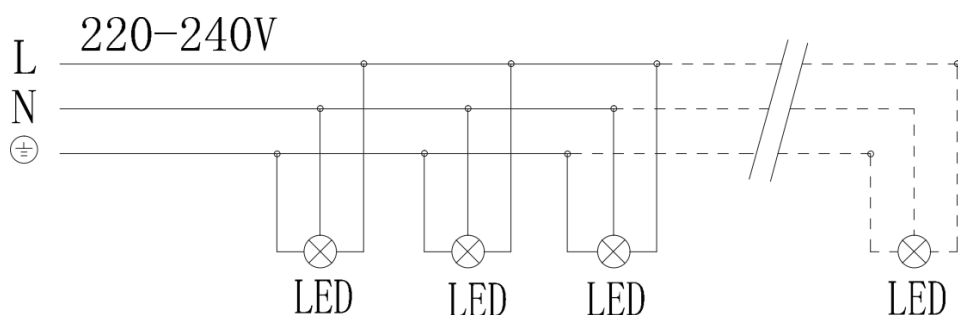
HIGH VOLTAGE 220-240VAC INPUT VERSION

High voltage single color fitting: refer to the following recommended wiring method.

Example of wiring:



220-240VAC: Circuit of product



Note: The above wiring diagram are for 24VDC or 220-240VAC ON/OFF luminaire, about wiring for luminaire with 0-10V, DALI, TRIAC or DMX512 dimming function, please inquire us separately.

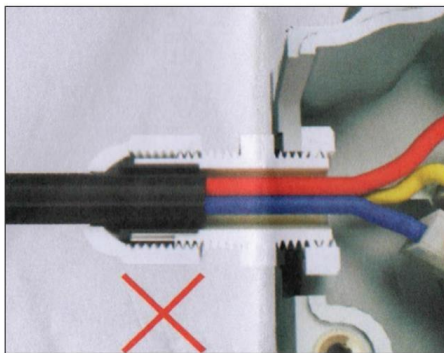
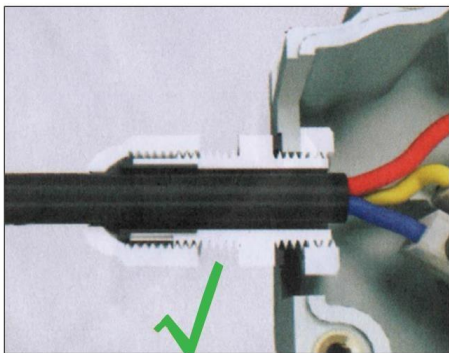
IMPORTANT NOTES FOR CONNECTIONS&CONNECTORS:



One input - two output

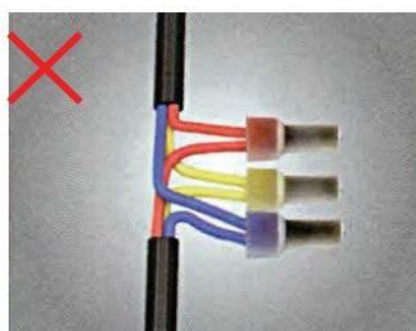
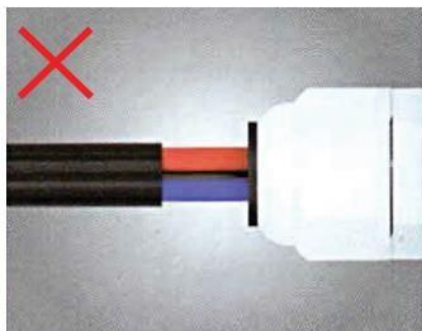
We recommend using the water-proof connectors as shown above for all outdoor fixtures. Installers should prepare the appropriate main cables of suitable rating and diameter with the right IP rated connectors.

Prevent the water filtration by IP rated connectors!



When the wire is connected into the fixture through cable gland, the cable must be more than 10mm inside. Please refer to the images above.

Incorrect Installation



Important Notes and Safety Instructions

- Read this guide before installing, using the product.
- The products must be installed according to the regulations effective in the country of installation by a qualified professional people.
- Must be installed or operated only by Qualified Professional people.
- Failure to observe the instructions and recommendations may cause a risk of personal injury and/or material damage.
- In case of problems, contact our technical service.
- Do not abandon this product, put it in the specific place for recycling.
- Do not pull or lift up the product by catching the wire
- This product is a wall surface mounted COB LED up and down light.
- The standard color temperature of cool white is 6000K; day white 5000K, neutral white 4000-4500k, warm white is in range 2700-3200K.
- The standard input voltage is 24VDC or 220-240VAC (or 110-120V, or 110-240V). When you install the product, please check the data label on the product and the wire.
- When using low voltage light fixture, please prepare powerful power supply or 24VDC output transformer. Total demand of power is according to total power consumption +total power of cable impedance consumption.
- Basic is Non-dimmable. Optional PWM, 0/1-10V, DALI dimmable or DMX512 controllable support upon request.
- The main material of this product is aluminum surface coating is only suitable for natural environment, don't install this product near the sea water or in the environment which is high salty or high acid.
- Do not install product near high magnetic fields or applications.
- This is IP65 grade product don't put fixture into water.
- Applicable environment temperature: $-20^{\circ}\text{C} < \text{fixture} < +55^{\circ}\text{C}$.